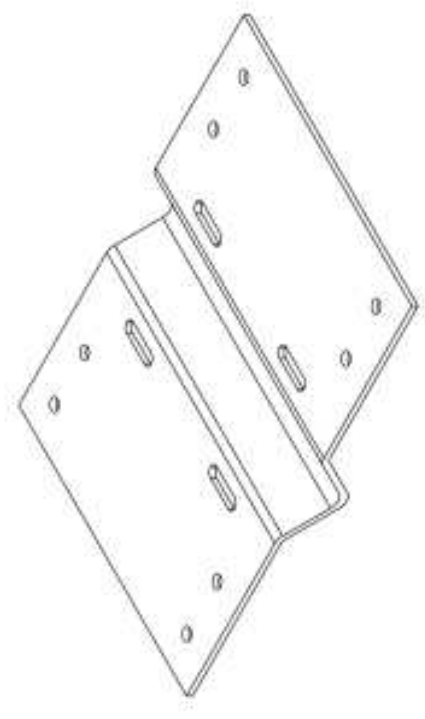
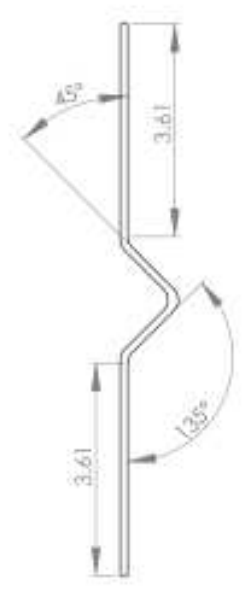
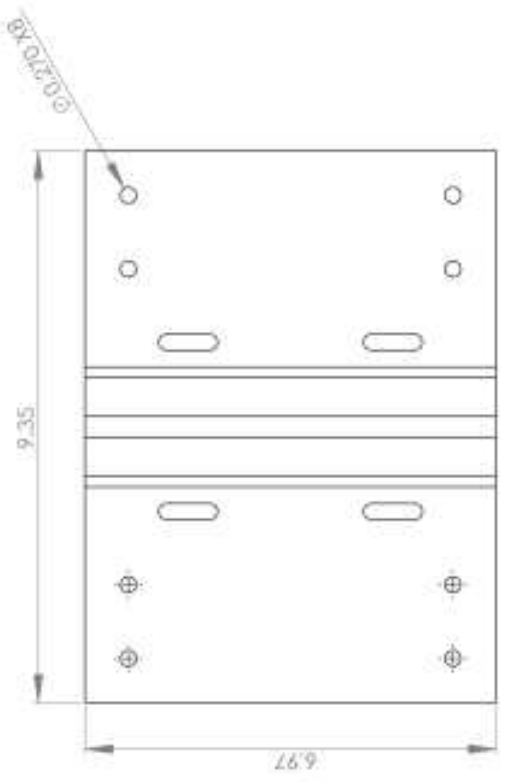


UNLESS OTHERWISE SPECIFIED - DIMENSIONS ARE IN INCHES		FINISH:		DO NOT SCALE DRAWING		REV PART #	
DRAWN	DATE	DESCRIPTION	DATE				
CHKD	BY		BY				
APP'D							
TOLERANCES:				PART #			
F.L.S. = ±0.1"				TITLE: SACF 2K 5510 ANTENNA			
R.DX = ±0.010"				DWG NO. LI0735			
S.DX = ±0.005"				REV 2			
ANGULAR = ±0.5 DEG				SHEET 2			
MATERIAL:				SHEET 2			
MATERIAL:				SHEET 2			
MATERIAL:				SHEET 2			

MICROBURY AND CONFIDENTIAL
 INFORMATION. THIS DRAWING IS THE SOLE PROPERTY OF SWEDCOM AND REPRODUCTION IN PART OR AS A WHOLE WITHOUT THE WRITTEN PERMISSION OF SWEDCOM IS PROHIBITED.
 SWEDCOM CORP.
 1075 OLD COUNTY RD
 SUITE C
 BELMONT, CA 94002
 1-(650)-520-9420

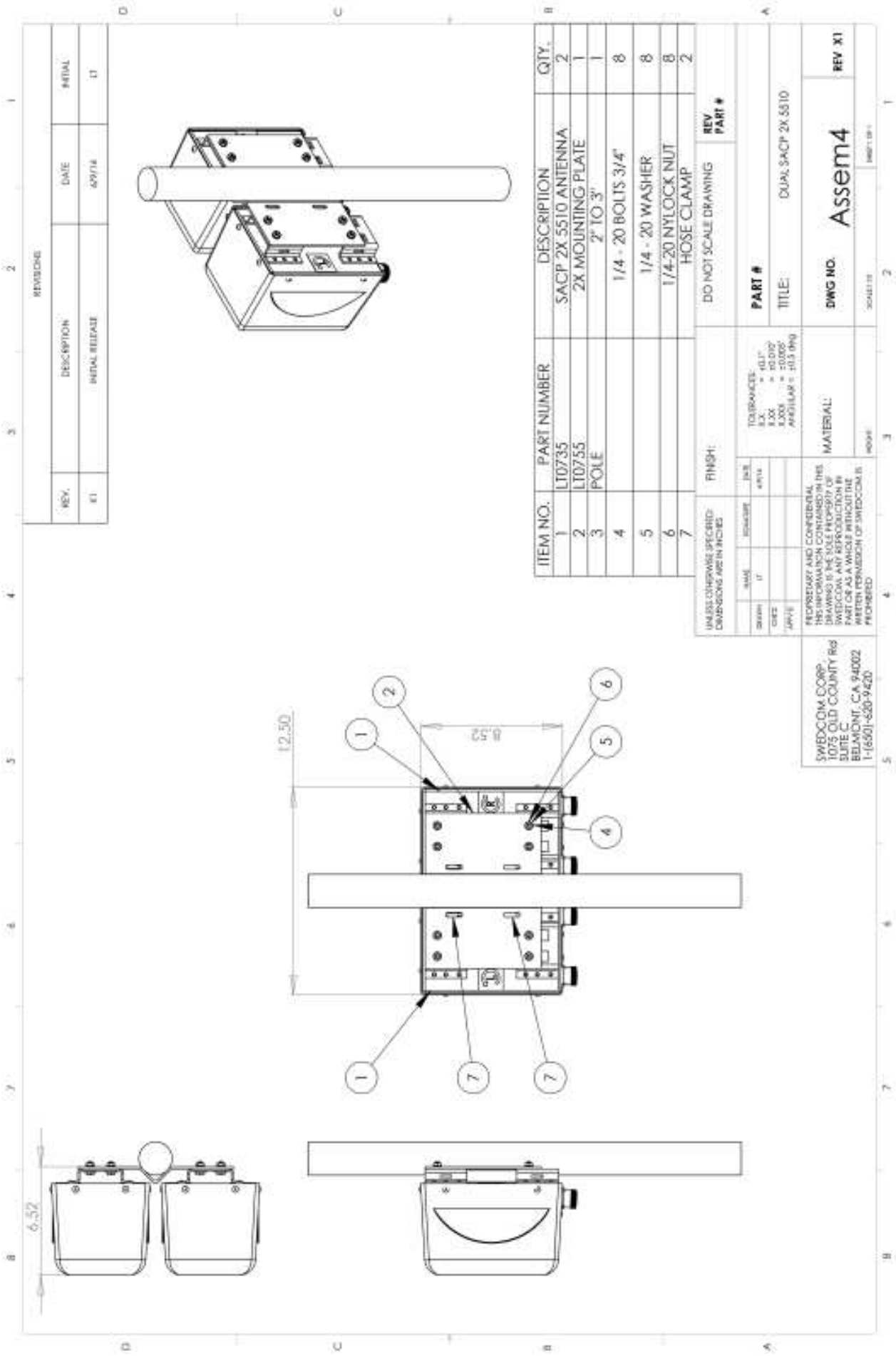
REVISIONS			
REV.	DESCRIPTION	DATE	INITIAL
01	METAL RELEASE	3/10/14	DT



NOTES:
 PART IS TO BE FREE OF ALL GREASE AND CONTAMINANTS.
 PRIME QUALITY FINISH.
 USE SOLIDWORKS FILE OR STEP FILE FOR HOLES LOCATION AND SIZE
 COVER PVC ON BOTH SIDES DURING THE PROCESS TO MINIMIZE DENTS,
 SCRATCHES AND SCRAPES.

UNLESS OTHERWISE SPECIFIED: DIMENSIONS ARE IN INCHES		FINISH: MILL		DO NOT SCALE DRAWING		REV PART #	
GRADE	IT	ROUNDED	FILE	TOLERANCES:		PART #	
SMOOTH	CHZ	APPLD	SLT	F.2. ±.0031		TITLE: 2X MOUNTING PLATE	
				F.25 ±.002		DWG NO. L10755	
				F.30 ±.0015		SCALE: 1:1	
				F.35 ±.0010		REV 0	
				F.40 ±.0005		AUTHOR:	
				F.50 ±.0002		DATE:	
				F.60 ±.0001		DRAWN BY:	
				F.70 ±.0000		CHECKED BY:	
				F.80 ±.0000		APPROVED BY:	
				F.90 ±.0000		DATE:	
				F.100 ±.0000		SCALE:	
				F.110 ±.0000		MATERIAL:	
				F.120 ±.0000		AL 9050 H40	
				F.130 ±.0000		0.125 THK.	
				F.140 ±.0000		MATERIAL:	
				F.150 ±.0000		AL 9050 H40	
				F.160 ±.0000		0.125 THK.	
				F.170 ±.0000		MATERIAL:	
				F.180 ±.0000		AL 9050 H40	
				F.190 ±.0000		0.125 THK.	
				F.200 ±.0000		MATERIAL:	
				F.210 ±.0000		AL 9050 H40	
				F.220 ±.0000		0.125 THK.	
				F.230 ±.0000		MATERIAL:	
				F.240 ±.0000		AL 9050 H40	
				F.250 ±.0000		0.125 THK.	
				F.260 ±.0000		MATERIAL:	
				F.270 ±.0000		AL 9050 H40	
				F.280 ±.0000		0.125 THK.	
				F.290 ±.0000		MATERIAL:	
				F.300 ±.0000		AL 9050 H40	
				F.310 ±.0000		0.125 THK.	
				F.320 ±.0000		MATERIAL:	
				F.330 ±.0000		AL 9050 H40	
				F.340 ±.0000		0.125 THK.	
				F.350 ±.0000		MATERIAL:	
				F.360 ±.0000		AL 9050 H40	
				F.370 ±.0000		0.125 THK.	
				F.380 ±.0000		MATERIAL:	
				F.390 ±.0000		AL 9050 H40	
				F.400 ±.0000		0.125 THK.	
				F.410 ±.0000		MATERIAL:	
				F.420 ±.0000		AL 9050 H40	
				F.430 ±.0000		0.125 THK.	
				F.440 ±.0000		MATERIAL:	
				F.450 ±.0000		AL 9050 H40	
				F.460 ±.0000		0.125 THK.	
				F.470 ±.0000		MATERIAL:	
				F.480 ±.0000		AL 9050 H40	
				F.490 ±.0000		0.125 THK.	
				F.500 ±.0000		MATERIAL:	
				F.510 ±.0000		AL 9050 H40	
				F.520 ±.0000		0.125 THK.	
				F.530 ±.0000		MATERIAL:	
				F.540 ±.0000		AL 9050 H40	
				F.550 ±.0000		0.125 THK.	
				F.560 ±.0000		MATERIAL:	
				F.570 ±.0000		AL 9050 H40	
				F.580 ±.0000		0.125 THK.	
				F.590 ±.0000		MATERIAL:	
				F.600 ±.0000		AL 9050 H40	
				F.610 ±.0000		0.125 THK.	
				F.620 ±.0000		MATERIAL:	
				F.630 ±.0000		AL 9050 H40	
				F.640 ±.0000		0.125 THK.	
				F.650 ±.0000		MATERIAL:	
				F.660 ±.0000		AL 9050 H40	
				F.670 ±.0000		0.125 THK.	
				F.680 ±.0000		MATERIAL:	
				F.690 ±.0000		AL 9050 H40	
				F.700 ±.0000		0.125 THK.	
				F.710 ±.0000		MATERIAL:	
				F.720 ±.0000		AL 9050 H40	
				F.730 ±.0000		0.125 THK.	
				F.740 ±.0000		MATERIAL:	
				F.750 ±.0000		AL 9050 H40	
				F.760 ±.0000		0.125 THK.	
				F.770 ±.0000		MATERIAL:	
				F.780 ±.0000		AL 9050 H40	
				F.790 ±.0000		0.125 THK.	
				F.800 ±.0000		MATERIAL:	
				F.810 ±.0000		AL 9050 H40	
				F.820 ±.0000		0.125 THK.	
				F.830 ±.0000		MATERIAL:	
				F.840 ±.0000		AL 9050 H40	
				F.850 ±.0000		0.125 THK.	
				F.860 ±.0000		MATERIAL:	
				F.870 ±.0000		AL 9050 H40	
				F.880 ±.0000		0.125 THK.	
				F.890 ±.0000		MATERIAL:	
				F.900 ±.0000		AL 9050 H40	
				F.910 ±.0000		0.125 THK.	
				F.920 ±.0000		MATERIAL:	
				F.930 ±.0000		AL 9050 H40	
				F.940 ±.0000		0.125 THK.	
				F.950 ±.0000		MATERIAL:	
				F.960 ±.0000		AL 9050 H40	
				F.970 ±.0000		0.125 THK.	
				F.980 ±.0000		MATERIAL:	
				F.990 ±.0000		AL 9050 H40	
				F.1000 ±.0000		0.125 THK.	

SWEDCOM CORP.
 1075 OLD COUNTY RD
 SUITE C
 BELMONT, CA 94002
 1-(650)-620-9420



REV.	DESCRIPTION	DATE	INITIAL
01	INITIAL RELEASE	02/07/14	LT

ITEM NO.	PART NUMBER	DESCRIPTION	QTY.
1	LT0735	SACP 2X 5510 ANTENNA	2
2	LT0755	2X MOUNTING PLATE	1
3	POLE	2" TO 3"	1
4		1/4 - 20 BOLTS 3/4"	8
5		1/4 - 20 WASHER	8
6		1/4-20 NYLOCK NUT	8
7		HOSE CLAMP	2

UNLESS OTHERWISE SPECIFIED, DIMENSIONS ARE IN INCHES.	FINISH:	DO NOT SCALE DRAWING	REV. PART #
SCALE: 1" = 1"	FINISH: NONE		
TOLERANCES:			
F.X. ± .01"			
M.X. ± .005"			
A.X. ± .0005"			
ANGULAR ± .015 DEG			
PART #			
TITLE:	DUAL SACP 2X 5510		

PROPERTY AND CONFIDENTIALITY INFORMATION CONTAINED IN THIS DRAWING IS THE SOLE PROPERTY OF SWEDCOM. ANY REPRODUCTION BY ANY MEANS WITHOUT THE WRITTEN PERMISSION OF SWEDCOM IS PROHIBITED.	MATERIAL:	DWG NO.	REV. XI
		Assem4	
		3041111	3041111

SWEDCOM CORP.
1075 OLD COUNTY RD
SUITE C
BELMONT, CA 94002
1-(650)-620-9420