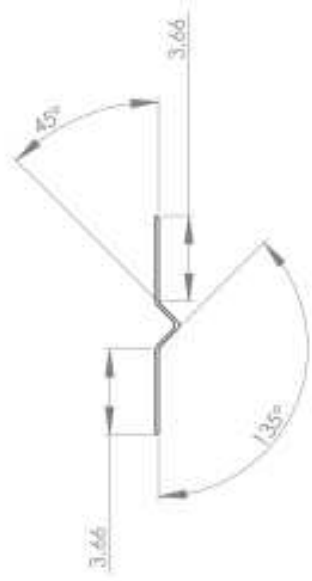
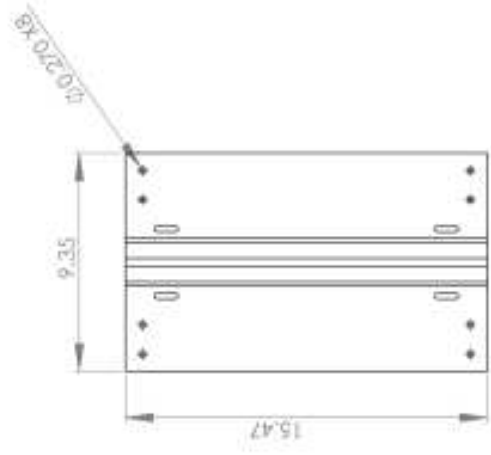


UNLESS OTHERWISE SPECIFIED, DIMENSIONS ARE IN INCHES.		FINISH:		DO NOT SCALE DRAWING		REV PART #	
GRADE	1"	PAINT	ENGL	PART #		REV 0	
SIZE	1"	PAINT	ENGL	TITLE:		SACP 2X 5512 ANTENNA	
TYPE	1"	PAINT	ENGL	MATERIAL:		DWG NO. LT0761	
TOLERANCES:		FINISH:		SCALE:		SHEET: 1	
± .01"		MATERIAL:		DRAWING:		REV 0	
± .005"		MATERIAL:		DRAWING:		REV 0	
± .002"		MATERIAL:		DRAWING:		REV 0	
± .001"		MATERIAL:		DRAWING:		REV 0	
ANGULAR ± .015 DEG		MATERIAL:		DRAWING:		REV 0	

SWEDCOM CORP.
 1075 OLD COUNTY RD
 SUITE C
 BELMONT, CA 94002
 1-(650)-620-9420

PROPRIETARY AND CONFIDENTIAL
 INFORMATION CONTAINED
 HEREIN IS THE PROPERTY OF
 SWEDCOM AND REPRODUCTION
 OF THIS DRAWING WITHOUT THE
 WRITTEN PERMISSION OF SWEDCOM IS
 PROHIBITED

REVISES		
REV.	DESCRIPTION	DATE
01	INITIAL RELEASE	3/10/14
		INITIAL
		DT

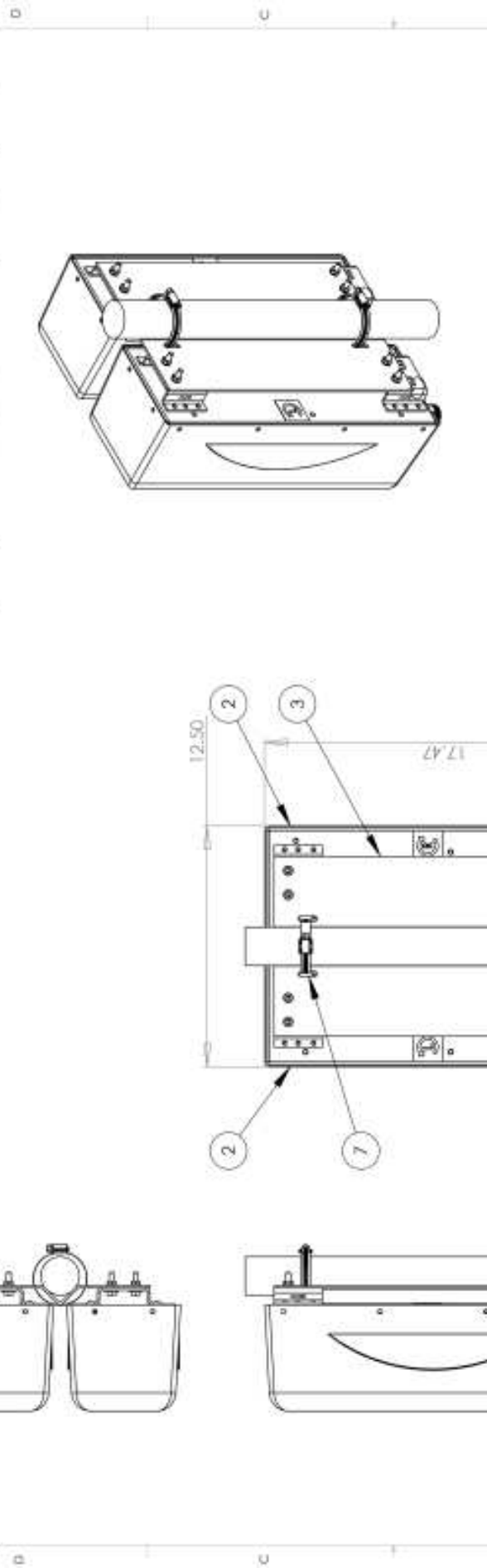


NOTES:
 PART IS TO BE FREE OF ALL GREASE AND CONTAMINANTS.
 PRIME QUALITY FINISH.
 USE SOLIDWORKS FILE OR STEP FILE FOR HOLES LOCATION AND SIZE
 COVER PVC ON BOTH SIDES DURING THE PROCESS TO MINIMIZE DENTS,
 SCRATCHES AND SCRAPES.

UNLESS OTHERWISE SPECIFIED: DIMENSIONS ARE IN INCHES		FINISH:	MILL	DO NOT SCALE DRAWING	REV PART #
FINISH	IT	PLATE	BLANK		
GRIND					
APPROX					
TOLERANCES:					
±.XX	±.00007				
±.XX	±.00007				
±.XX	±.00010				
ANGULAR	±0.5 DEG				
MATERIAL:					
AL 3003 H14					
0.125 THK.					
SCALE: 1:1					
PART #		TITLE: 2X MOUNTING PLATE 3-ACP 2X 5512			
DWG NO. LT0764		REV 0			

SWEDCON CORP.
 1079 OLD COUNTY RD
 SUITE C
 BELLEVILLE, CA 94002
 T: (650)-620-9420

REV.	DESCRIPTION	DATE	INITIAL
01	METAL RELEASE	6/16/14	LT



ITEM NO.	PART NUMBER	DESCRIPTION	QTY.
1	POLE	2' TO 3'	1
2	L10761	SACP 2X 5512 ANTENNA 2X MOUNTING PLATE SACP 2X	2
3	L10764	5512	1
4		1/4 - 20 BOLT 3/4"	8
5		1/4 - 20 WASHER	8
6		1/4 - 20 NYLOCK NUT	8
7		HOSE CLAMP	2

UNLESS OTHERWISE SPECIFIED: DIMENSIONS ARE IN INCHES	FINISH:	DO NOT SCALE DRAWING	REV PART #
SCALE: 1"	FINISH:		
TOLERANCES: F.L. = .0001" D.X. = .0002" R.DIM. = .0010" HOLE = .0010" POSITION = .010" DIA.			

FEDERALLY AND CONFIDENTIAL THIS INFORMATION CONTAINED IN THIS DRAWING IS THE SOLE PROPERTY OF SWEDCOM CORPORATION AND SHALL BE RETURNED TO SWEDCOM CORPORATION UPON REQUEST.	MATERIAL:	DWG NO. Assem11	REV X1
SWEDCOM CORP. 1075 OLD COUNTY RD SUITE C BELMONT, CA 94002 1-(650)-620-9420	WORK:	SCALE: 1"	DWG: 1075