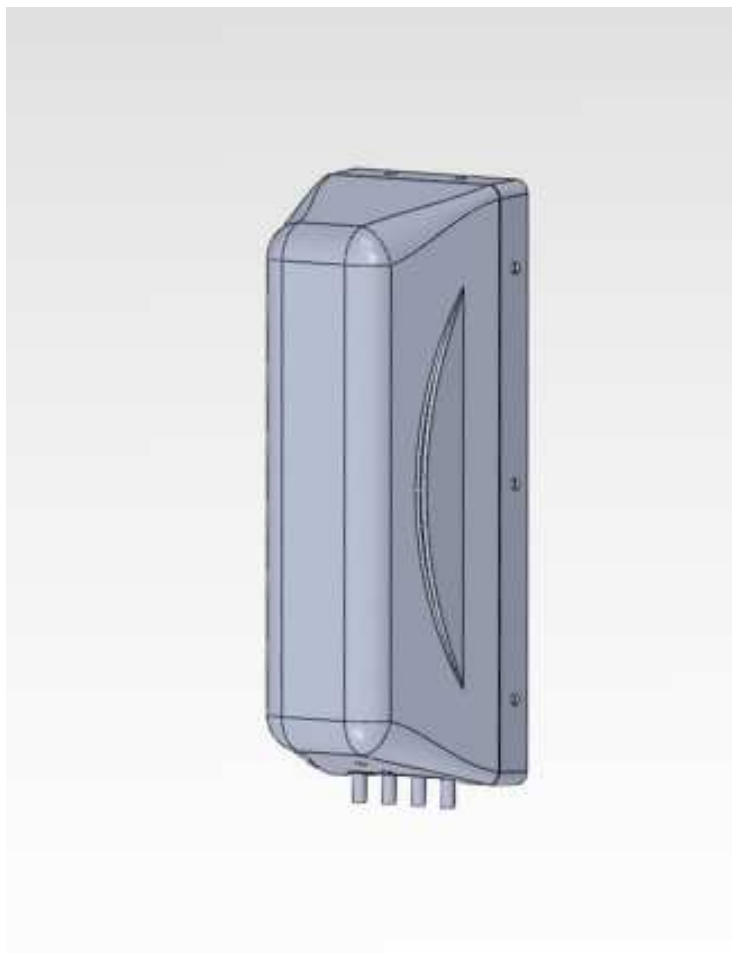


SNCP 4x5510

5100 - 5900 MHz Dual (2x) CP log-periodic antenna

Features

- ❑ Transmit Diversity Gain
- ❑ Can be configured to combine space & polarization diversity
- ❑ Outstanding performance over the entire band (5100 - 5900 MHz)
- ❑ Excellent Axial Ratio
- ❑ Optimized for 4G & 3G systems
- ❑ Low intermodulation
- ❑ Improved Side-to-side rejection
- ❑ Fading reduction
- ❑ Excellent isolation between ports



Electrical specifications

Frequency range:	5100 - 5900 MHz
Impedance:	50 ohm
Connector type:	SMA
Return loss:	18 dB
Polarization:	Circular
Gain ea. port [Circular]:	4x10 dBi
Axial Ratio:	2 dB
Front-to-back ratio:	30 dB
Intermodulation (2x20W):	IM3 153 dB
	IM5 160 dB
	IM7/9 170 dB
Power rating:	4x 30 W
H-plane (-3 dB point):	4x 55°
V-plane (-3 dB point):	4x 35°
Lightning protection:	DC grounded

Mechanical specifications

Overall height:	11.3 in	[286 mm]
Width:	4.2 in	[107 mm]
Depth:	3.8 in	[97mm]
Weight (excluding brackets):	5 lbs	[2.3 Kg]
Wind load measured up to:	150 mph	[240 Km/h]
Wind area (front of antenna):	0.33 sq. ft.	[0.030 sq.m]
Lateral thrust at 113 mph/ 180 Km/h (worst case):	17 lbs	[75N]

Materials

Radiating Elements:	Silver plated brass
Transformer (Power distribution)	Ceramic PCB
Chassis:	Aluminum
Radome:	PVC / TPO
Mounting:	

The SNCP 4x5510 is made in the U.S.A.