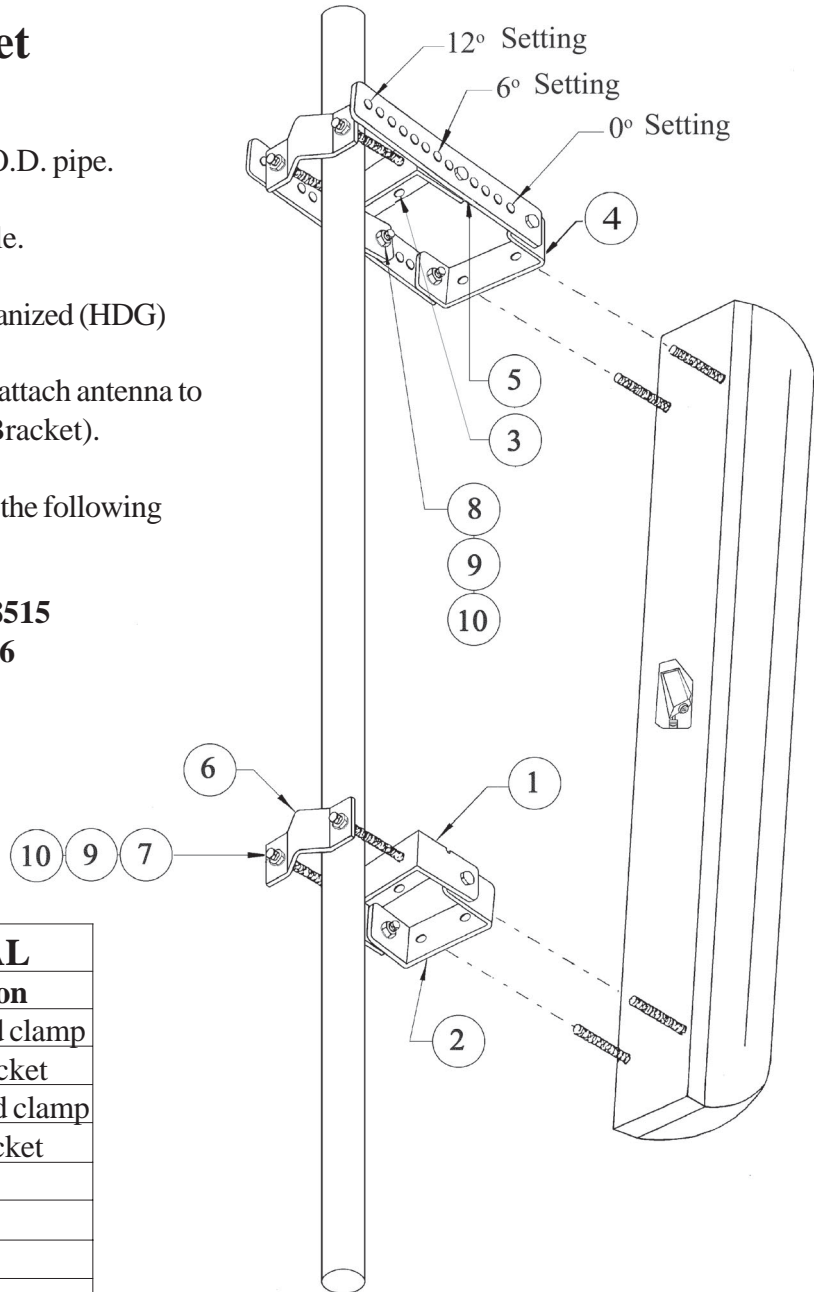


Antenna Down-tilt Mounting Bracket

SB 04L-12 Bracket

- 1) Clamp will adjust for up to 3" O.D. pipe.
- 2) Adjusts One [1°] degree per hole.
- 3) All material is Hot Dipped Galvanized (HDG)
- 4) Please use nuts from antenna to attach antenna to down-tilt bracket (SB 04L-12 Bracket).
- 5) The SB 04L - 12 Bracket will fit the following Swedcom antennas:

| | |
|---------------------|-----------------|
| SP-E 8515 | SPW 8515 |
| SP-E 8515 T2 | SI 8016 |
| SP-E 8515 T4 | |



| BILL OF MATERIAL | | |
|------------------|-----|---------------------------|
| Item | Qty | Part no. / Description |
| 1 | 1 | 04L-01 Long welded clamp |
| 2 | 1 | 04L-02 Short U-bracket |
| 3 | 1 | 04L-03 Short welded clamp |
| 4 | 1 | 04L-04 Long U-bracket |
| 5 | 2 | 04L-12 Side bar |
| 6 | 2 | 04L-05 V-clamp |
| 7 | 4 | 3/8 x 4" tap bolt |
| 8 | 6 | 3/8 x 1" tap bolt |
| 9 | 10 | 3/8" hex nut |
| 10 | 10 | 3/8" lock washer |