

Swedcom's RET bracket

“SRT”

installation instructions

Please note that the software for the RET. bracket itself is already installed at the factory.

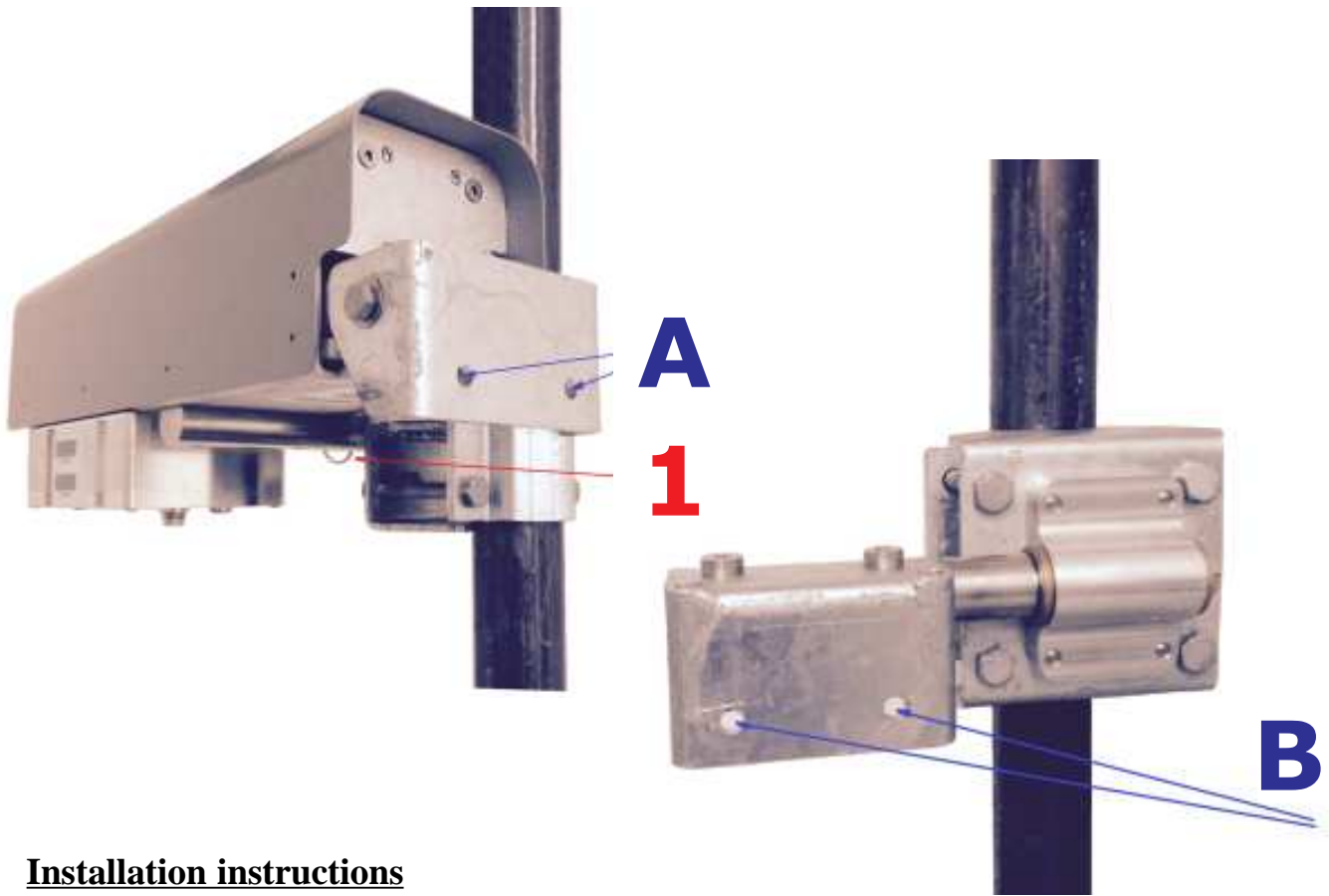
Software set up for the master controller

Vendor code = SB (Swedcom bracket)

Please make sure to enter the following characters in front of the serial no. (in addition to the serial no.) [SBSRTDA87xxxxxxxx]

total no. of characters = 18

Enter/match the correct serial no. with the corresponding RET. bracket.



Installation instructions

- 1) Start with installing the RET bracket (top bracket part) to the pole
- 2) Mount the top bolts of the antenna to the RET bracket (**top part mounting holes A**)
- 3) Loosely install the bottom bracket (pivoting part) to the pipe, then align and mount the antenna to this bottom bracket (**bottom bracket mounting holes B**).

DO NOT TIGHTEN THE BOTTOM BRACKET TO THE POLE UNTIL THE ANTENNA IS ALIGNED AND SECURED TO THE BOTTOM BRACKET

- 4) When step 3 is finished, tighten the bottom bracket to the pipe
- 5) Remove the installation/safety pins **1 & 2**

NOTE! The installation/safety pins (stopping the RET bracket from pivoting during installation) have to be removed before the RET bracket can be used! IF NOT REMOVED BEFORE USE THE RET. BRACKET COULD BE PERMANENTLY DAMAGED OR DESTROYED.

