

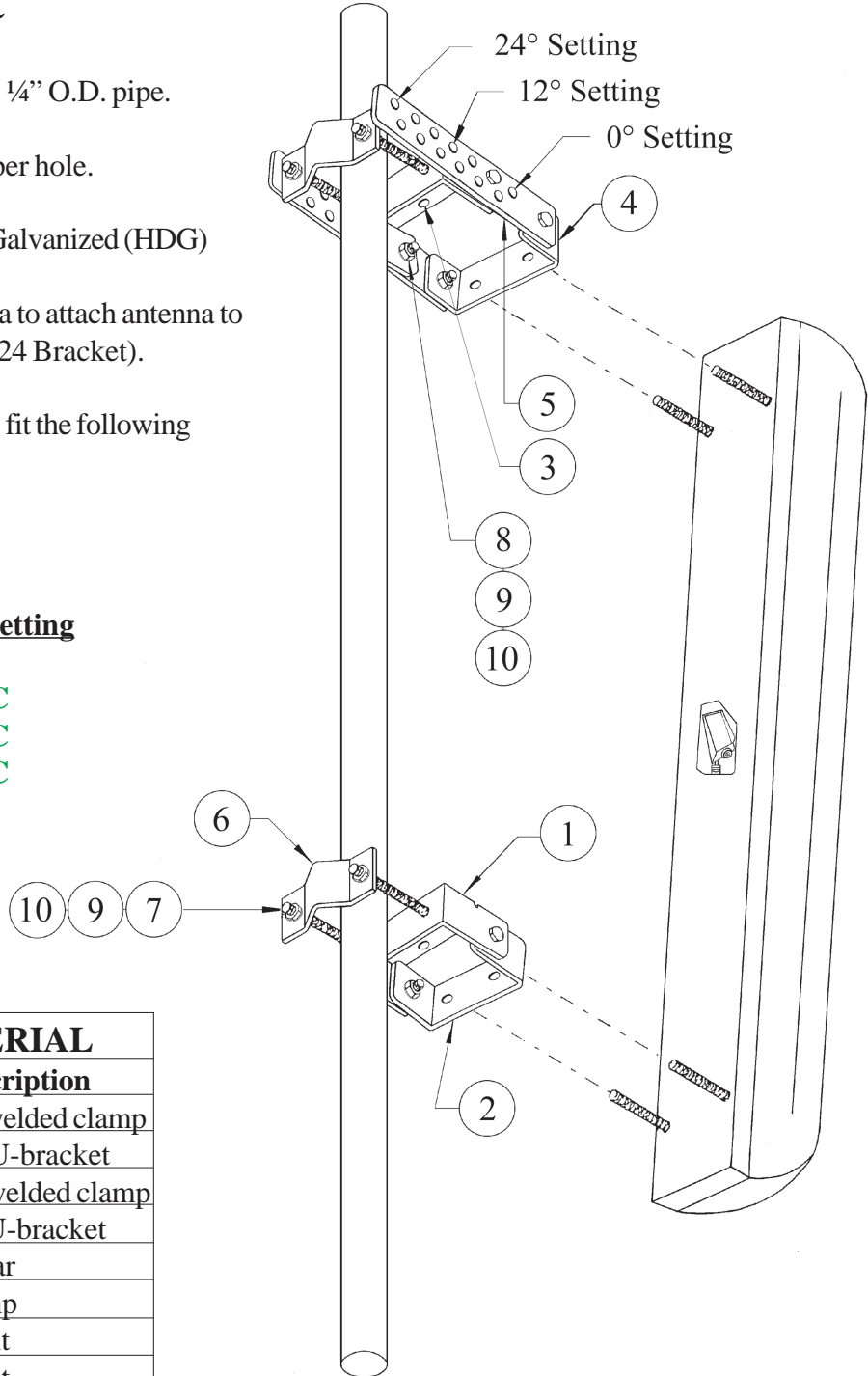
# Antenna Down-tilt Mounting Bracket

## SB 02L-24 Bracket

- 1) Clamp will adjust for 2" to 3 1/4" O.D. pipe.
- 2) Adjusts One [1.5°] degree per hole.
- 3) All material is Hot Dipped Galvanized (HDG)
- 4) Please use nuts from antenna to attach antenna to down-tilt bracket (SB 02L-24 Bracket).
- 5) The SB 02L-24 Bracket will fit the following Swedcom antennas:

**Antenna models      RET setting**

- SWCP 2x5511      **RET C**  
 SACP 2x3016      **RET C**  
 SACP 2x5514      **RET C**



BILL OF MATERIAL		
Item	Qty	Part no. / Description
1	1	04L-01 Long welded clamp
2	1	04L-02 Short U-bracket
3	1	04L-03 Short welded clamp
4	1	04L-04 Long U-bracket
5	2	04L-24 Side bar
6	2	04L-05 V-clamp
7	4	3/8 x 4" tap bolt
8	6	3/8 x 1" tap bolt
9	10	3/8" hex nut
10	10	3/8" Lockwasher