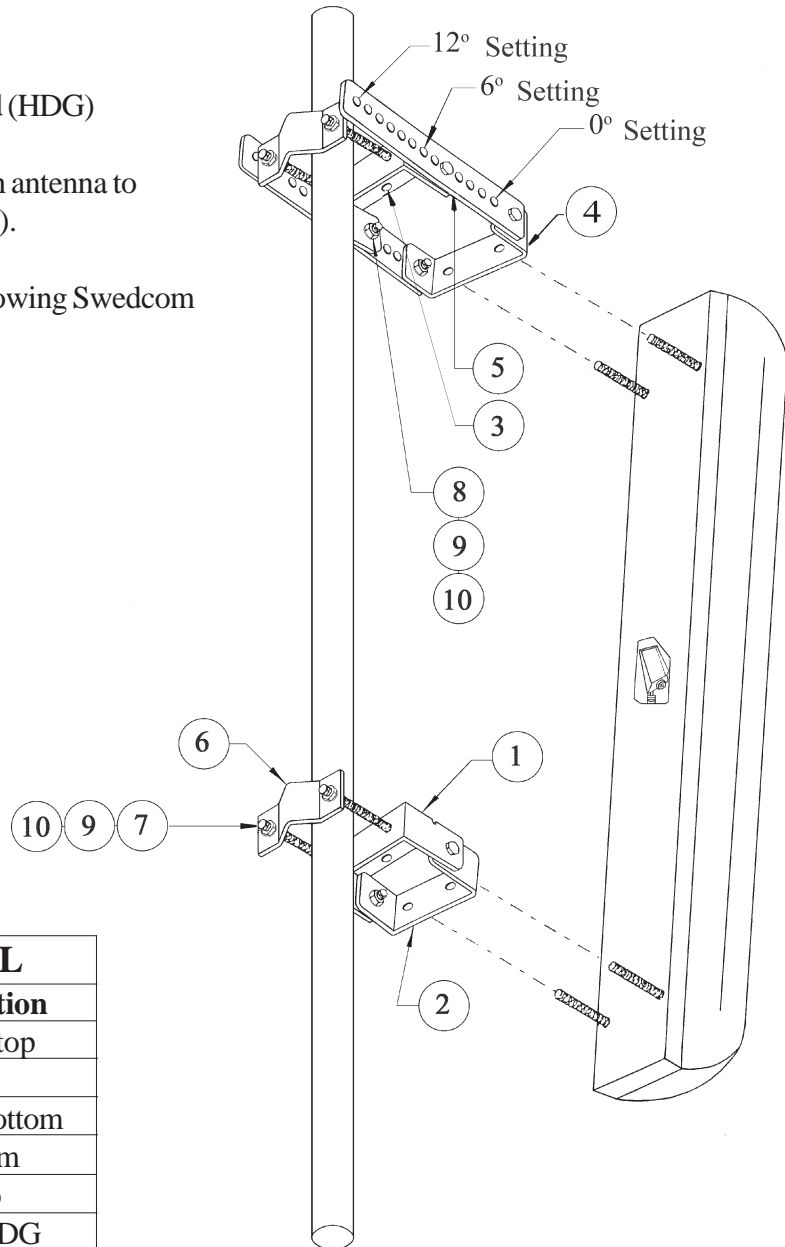


Antenna Down-tilt Mounting Bracket

SB 04-12 Bracket

- 1) Clamp will adjust for 2" to 3 1/4" O.D. pipe.
- 2) Adjusts One [1°] degree per hole.
- 3) All material is Hot Dipped Galvanized (HDG)
- 4) Please use nuts from antenna to attach antenna to down-tilt bracket (SB 04-12 Bracket).
- 5) The SB 04-12 Bracket will fit the following Swedcom antennas:

<u>Antenna models</u>	<u>RET setting</u>
SACP 2x5516	RET B
SACP 4x3016	RET B
SACP 4x5514	RET B
SMCP 2x5516	RET B
SAMCP 2x5516	RET B
SP-E 5017	RET B
SP-E 5017 T4	RET B
SPW 5017	RET B
SPW 8515	RET B
SPX 5014	RET B
SPXW 8515	RET B



BILL OF MATERIAL		
Item	Qty	Part no. / Description
1	1	04 12-01 Antenna top
2	1	04L-03 Pole top
3	1	04L-02 Antenna Bottom
4	1	04L-01 Pole Bottom
5	2	04L-05 Pipe clamp
6	4	3/8"x4" Tap bolt HDG
7	4	3/8" Heavy hex nut HDG
8	4	3/8" Lockwasher HDG
9	4	3/8" x 1" Tap bolt HDG
10	4	3/8" Heavy hex nut HDG
11	4	3/8" Lockwasher