

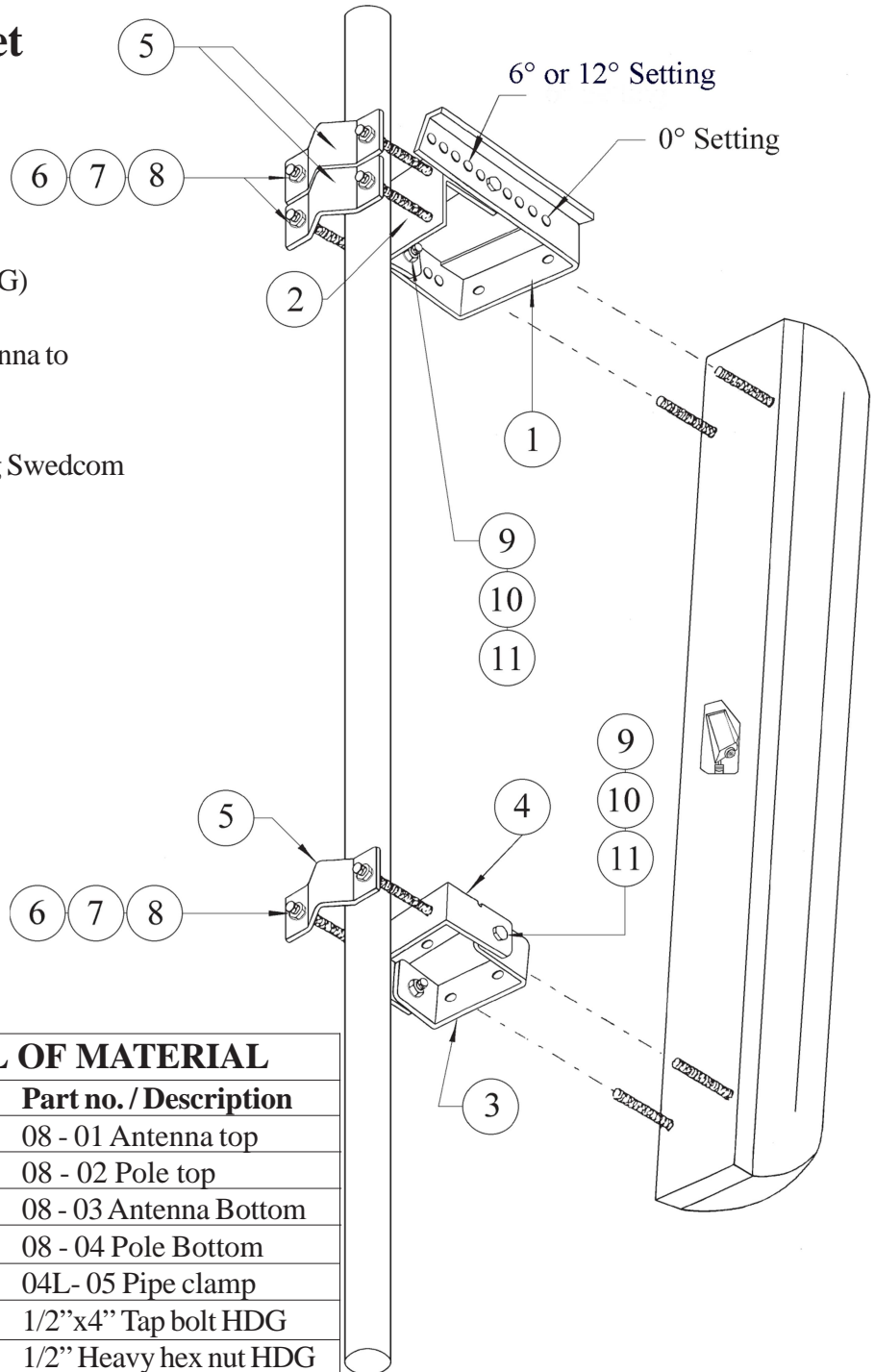
# Antenna Down-tilt Mounting Bracket

## SB 08-09 (1° and 2°) Bracket

- 1) Clamp will adjust for 2" to 3 1/4" O.D. pipe.
- 2) Adjusts to [1°] or [2°] degree per hole.
- 3) All material is Hot Dipped Galvanized (HDG)
- 4) Please use nuts from antenna to attach antenna to down-tilt bracket (SB 08-09 Bracket).
- 5) The SB 08-09 Bracket will fit the following Swedcom antennas:

**Antenna models**                      **RET setting**

SWCP 2x5516 1°	<b>RET A</b>
SWCP 2x7015 1°	<b>RET A</b>
SACP 4x5515 1°	<b>RET A</b>
SWACP 4x5514-15 1°	<b>RET A</b>
SC-E 6016 rev2 1°	<b>RET A</b>
SC 9014 rev2 1°	<b>RET A</b>
SCW 6016 1°	<b>RET A</b>
SCW 9014 1°	<b>RET A</b>
SWCP 2x5514 2°	<b>RET B</b>
SWCP 2x5515 2°	<b>RET B</b>
SWCP 2x7014 2°	<b>RET B</b>
SWACP 2x5511-14 2°	<b>RET B</b>
SWACP 4x5514 2°	<b>RET B</b>
SWACP 6x5514 2°	<b>RET B</b>
SC 4015 2°	<b>RET B</b>
SC-E 6014 rev2 2°	<b>RET B</b>
SC 9012 rev2 2°	<b>RET B</b>
SC 100 11 2°	<b>RET B</b>
SCW 6014 2°	<b>RET B</b>
SCW 9012 2°	<b>RET B</b>
SLXW 5512 2°	<b>RET B</b>
SWX 5015 2°	<b>RET B</b>
SWX 6015 2°	<b>RET B</b>



BILL OF MATERIAL		
Item	Qty	Part no. / Description
1	1	08 - 01 Antenna top
2	1	08 - 02 Pole top
3	1	08 - 03 Antenna Bottom
4	1	08 - 04 Pole Bottom
5	3	04L- 05 Pipe clamp
6	6	1/2"x4" Tap bolt HDG
7	6	1/2" Heavy hex nut HDG
8	6	1/2" Lockwasher HDG
9	4	3/8" x 1" Tap bolt HDG
10	4	3/8" Heavy hex nut HDG
11	4	3/8" Lockwasher