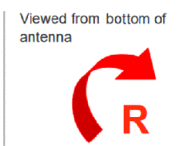
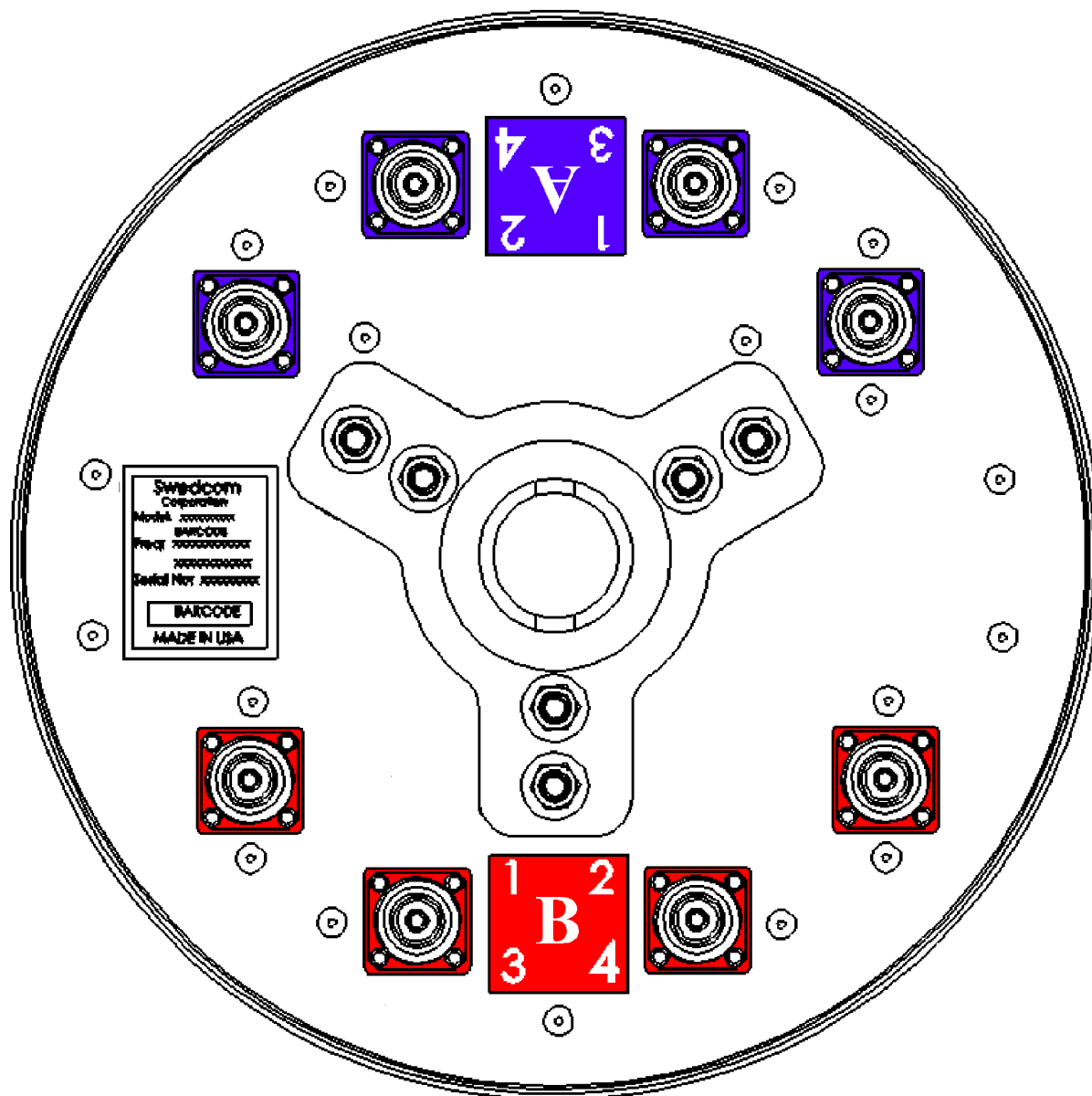
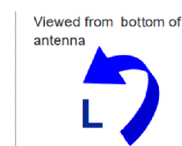




SACPCB 8x5510 1710 - 2180 MHz (8x) CP Log-periodic canister antenna



Port 1 & 3 left CP.
Port 2 & 4 right CP.

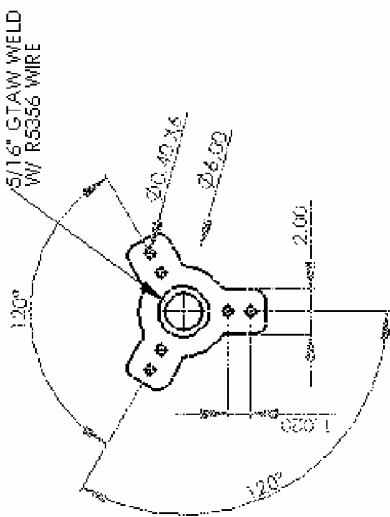
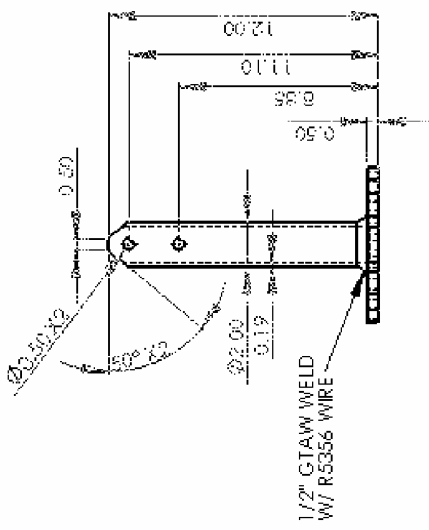
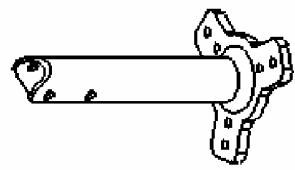


Swedcom Corporation
1075 Old County Road, Suite C
Belmont, CA 94002

Phone: (650) 620-9420
Fax: (650) 620-9281

www.swedcom.com
info@swedcom.com

REVISIONS			
REV.	DESCRIPTION	DATE	INITIAL
XI	INITIAL RELEASE	5/11/17	II
D	CHANGED DIAMETER AND LENGTH	7/11/17	II
I	PRODUCTION	5/29/17	II



Sheet1

UNITS OR DIMENSIONS SPECIFIED: DIMENSIONS ARE IN INCHES FINISH: MILL DO NOT SCALE DRAWING REV PART #

DATE: 5/29/17

DESIGNED BY: J. SCHUBERT

CHECKED BY: J. SCHUBERT

DATE: 5/29/17

SCALE: 1:1

PROPRIETARY AND CONFIDENTIAL THIS INFORMATION CONTAINED HEREIN IS UNCLASSIFIED EXCEPT WHERE SHOWN OTHERWISE. ANY REPRODUCTION IN WHOLE OR IN PART WITHOUT THE WRITTEN PERMISSION OF SWEDECO IS PROHIBITED.

SWEDECO, INC. CORP.
10725 OLD COUNTY RD
SUITE C
BELMONT, CA 94002
1-650-512-0120

MATERIAL: AL 6061-T6

PART # LT0863

TITLE: ANTENNA MOUNTING

DWG NO. LT0863

REV 1

NOTES:
PART IS TO BE FREE OF ALL GREASE AND CONTAMINANTS.
USE SOLIDWORKS FILE OR STEP FILE FOR HOLES LOCATION AND SIZE